



PrimaVision BasePerform

HID-PV Base 100 SON/CDO Q 220-240V

Highly reliable electronic drivers for SON and CDO lamps designed to save energy thanks to better light efficiency compared to magnetic drivers, and to save on maintenance costs thanks to a lifetime of up to 50,000 hours.

Product data

• General Information

Lamp Type	SON-CDO
Number Of Lamps	1 piece/unit
Suitable For Outdoor Use	Yes
Number Of Products On MCB (16A Type B) (Nom)	11
Default Lamp Selected	SON/CDO100
Automatic Restart	No

• Operating and Electrical

Input Voltage	220 to 240 V
Input Frequency	50 to 60 Hz
Minimum Mains Voltage Operation (Min)	172 V
Operating Frequency (Nom)	0.145 kHz
Power Factor 100% Load (Nom)	0.95
Ignition Time (Max)	300 s
Ignition Time (Nom)	90 s
Ignition Voltage (Max)	5 kV
Ignition Switch-Off Time (Nom)	20 min
Mains Voltage Performance (AC)	198-254V
Mains Voltage Safety (AC)	180-264V
Earth Leakage Current (Max)	0.7 mA
Output Peak Voltage (Max)	250 V

Inrush Current Width	0.02 ms
Lamp Power Tolerance	-5%/+5%
Input Current (Nom)	0.5 A
Inrush Current Peak (Max)	35 A
Rated Lamp Power	100 W

• Wiring

Cable Capacity	150 pF
Output Wires Mutual (Max)	
Cable Length From Device To Lamp	1.5 m
Wire Striplength	10.0-11.0 mm
Ballast Contact Wire Cross Section	0.50-2.50 mm ²
Connector Type	WAGO series 804

• System characteristics

Rated Lamp Power On CDO	100 W
System Power On CDO	109 W
Power Loss On CDO	9 W
Rated Lamp Power On SON	100 W
System Power On SON	109 W
Power Loss On SON	9 W

PHILIPS

• Temperature

T-Ambient (Max)	55 °C
T-Ambient (Min)	-30 °C
T-Storage (Max)	55 °C
T-Storage (Min)	-30 °C
T-Case Lifetime (Nom)	80 °C
T-Case Switch Off (Min)	90 °C

• Controls and Dimming

Programmable Lamp Settings	None
Pre-Set Integrated Controls	None
Programmable Dimming Options	None
Control Input Protection	Yes (Basic insulation)

• Mechanical and Housing

Housing	Q
---------	---

• Approval and Application

Surge Protection (Common/Differential)	EN61547 (L-L 2kV, L-G 4kV) kV
IP Classification	20
Luminaire Active Temperature Protection	Yes
EMI 9 kHz ... 300 MHz	CISPR 15 ed 7.2

EMI 30 MHz ... 1000 MHz
Safety Standard

CISPR15EDITION7.2

IEC 607, 609, 926, 928 [No Standard for HID Lamp drivers exists. Requirements in these standards to be used if considered relevant for the product.]

Quality Standard
Environmental Standard

ISO 9000:2000
ISO14001

Harmonic Current Emission Standard
Vibration Standard
Bumps Standard
Humidity Standard
Approval Marks

IEC61000-3-2
IEC68-2-6FC(10-150HZ)
IEC 68-2-29 Eb (10G/16ms)
EN61347-2-12CLAUSE11
CE marking
ENEC certificate
VDE-EMV certificate

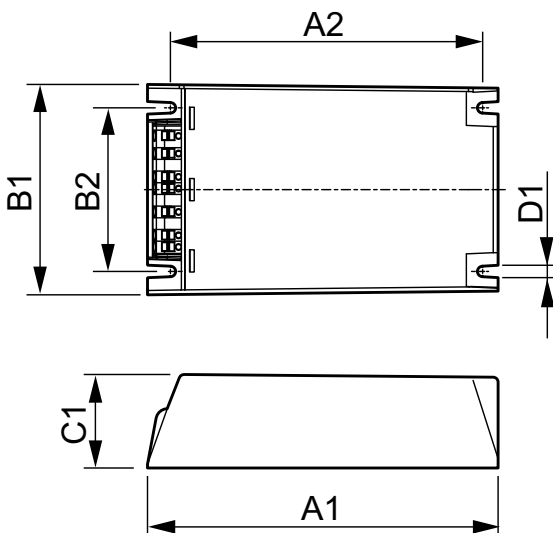
Hum And Noise Level

< 30 dB(A)

• Product Data

Full product code	871869653155600
Order product name	HID-PV Base 100 SON/CDO Q 220-240V
EAN/UPC - Product Order code	8718696531556 913712008866
Numerator - Quantity Per Pack	1
Numerator - Packs per outer box	12
Material Nr. (12NC)	913712008866
Net Weight (Piece)	0.820 kg

Dimensional drawing

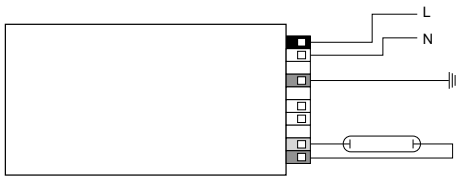


HID-PV Base SON/CDO Q

HID-PV Base 100 SON/CDO Q 220-240V

Product	D1	C1	A1	A2	B1	B2
HID-PV Base 100 SON/CDO Q 220-240V	4.5 mm	40.0 mm	150.0 mm	133.6 mm	90.0 mm	70.0 mm

Dimensional drawing



HID-PV Base SON/CDO Q



© 2016 Philips Lighting Holding B.V.
All rights reserved.

Specifications are subject to change without notice. Trademarks are the property of Koninklijke Philips N.V. (Royal Philips) or their respective owners.

www.philips.com/lighting

2016, September 19
data subject to change